

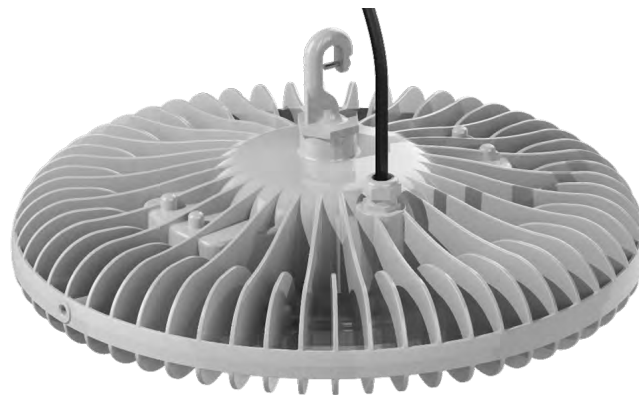
# LED Lightsource-R High Bay - EU Generation II

The Aqualuma Lightsource-R High Bay light is part of the Lumn range and is designed specifically to replace conventional metal halide or induction lighting used in indoor and outdoor industrial applications. Already the most energy efficient of its kind, the Lightsource-R has been upgraded to provide unprecedented levels of energy efficiency, further extending its superiority.

It is ideally suited to high bay lighting in factories, cold stores and warehouses, including hazardous areas. Typically for installation above 4m.

## LED Lightsource-R High Bay Features

- ⊕ Replaces >400W metal halide light fittings
- ⊕ As little as 90W total power
- ⊕ Photometric flux up to 24,400lm
- ⊕ Wall plug efficacy up to 142lm/W
- ⊕ Full spectrum colour rendering results in improved visual acuity in comparison to metal halide light sources
- ⊕ L70 rated for >100,000 hrs at 50C
- ⊕ 5 year warranty
- ⊕ Instant on / off
- ⊕ IP66 rated



## Photometric Data

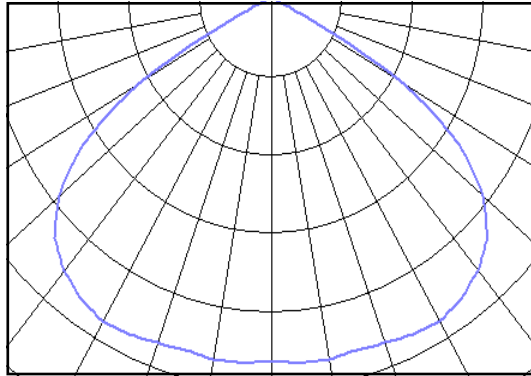
Colour Correlated Temperature: 4000K, 5700K

Colour Rendering Index (CRI): minimum 85 (4000K), minimum 70 (5700K)

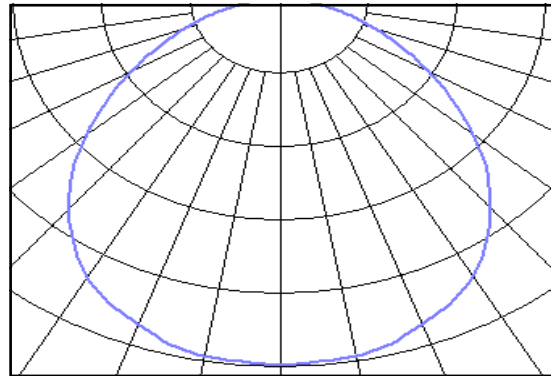
Flux: up to 24,400 lm

### Polar Plots

Clear Lens



Diffuse Lens



IES files for all models are available on our website. Visit [www.aqualuma.com/lumn](http://www.aqualuma.com/lumn) for more information.

## Electrical Specifications

### Operating Voltage:

100-240VAC, 47-63Hz

### Power Factor:

$\lambda > 0.90$

### Operating Temp:

-40°C to 45°C

### EMC Emission:

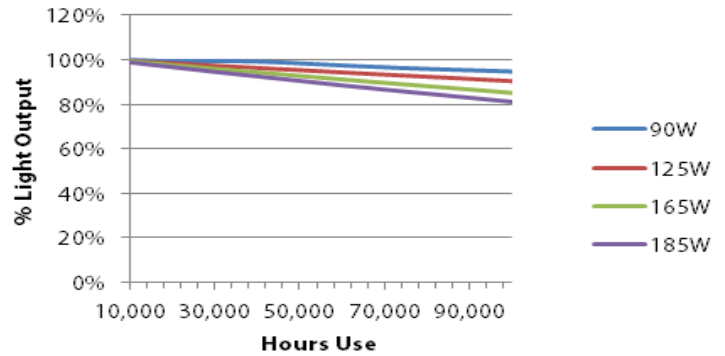
Compliance to CISPR15 / EN 55015, EN61000-3-2 & EN61000-3-3

### EMC Immunity:

Compliance to EN61000-4-2,3,4,5,6,8,11, EN61547

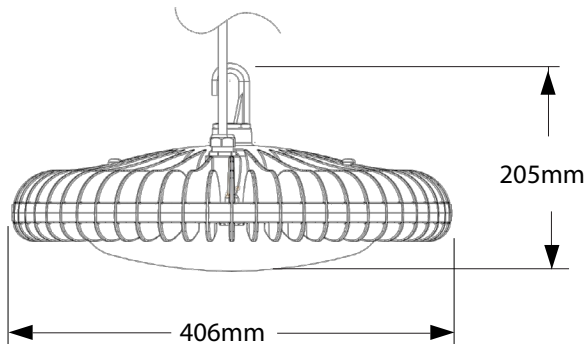
## LED Reliability

The LEDs are fully tested to standard IES LM-80-08 'Measuring Lumen Maintenance of LED Light Sources'. Standard IES TM-21-11 projects the long term lumen maintenance of the LED Light Sources. The adjacent graph shows the % light output of the LEDs with the fitting situated in an average ambient temperature of 50C.

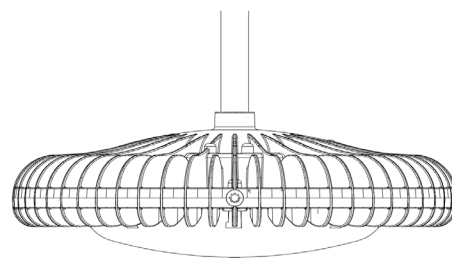


## Mechanical Information

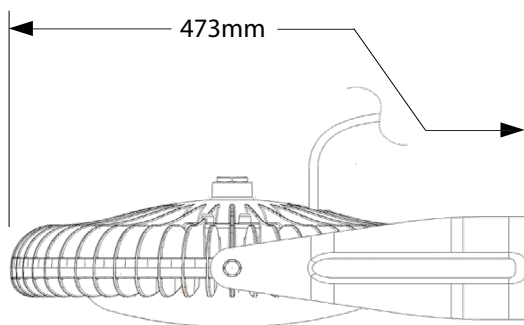
<b>Weight:</b>	7kg
<b>Mounting:</b>	Hook Bracket (RAL 7047) Pipe (3/4" NPT)
<b>Cabling:</b>	3m PVC Cable
<b>Housing:</b>	Marine grade powder coated 'copper free' aluminium (RAL 7047)
<b>Lens:</b>	Clear acrylic, diffuse acrylic or polycarbonate



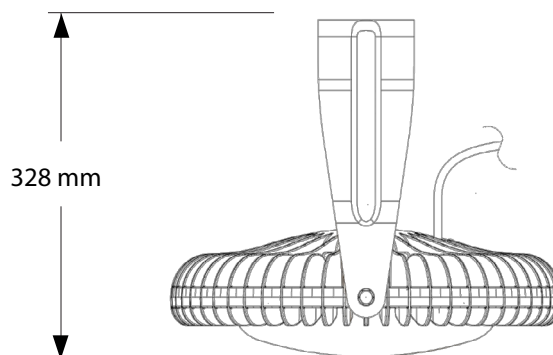
Hook Mount



Pipe Mount (3/4" NPT)



Wall Mount with Bracket



Ceiling Mount with Bracket

## Certifications

☉ CE / RCM Compliant	
☉ EN62031	LED modules for general lighting. Safety Specs.
☉ EN 60598	Particular requirements of luminaires
☉ AS/NZS 60598.1 / 60598.1.1	Particular requirements of luminaires
☉ EN 62471	Photobiological safety of lamp systems
☉ IP66 to EN60529	Intrusion protection
☉ IK06 to EN50102 (Acrylic lenses)	Mechanical impact protection
☉ IK10 to EN50103 (Polycarbonate lens)	Mechanical impact protection
☉ IEC60068 salt spray testing - severity 1	Corrosion resistance

## Grants and Rebates

- ☉ Victorian Energy Efficiency Target (VEET) listed.
- ☉ Eligible for the New South Wales Energy Savings Scheme (ESS / IPART)

## Application Notes

- ☉ The Aqualuma Lightsource-R LED High Bay light is designed to be installed above 4m from the ground. For installation heights below 4m, please refer to the Aqualuma Lightsource-R LED Low Bay light.
- ☉ For installation in areas subject to potential damage (vandalism / material handling) the polycarbonate lens option is available. Food preparation and similar areas may require this.
- ☉ The diffuse acrylic lens provides a softer aura of both the fitting and the ambient light. With the diffuse acrylic lens the fitting presents a 'moon like' appearance which is ideal for sport courts / arenas.
- ☉ Field testing has shown that the 90W versions with clear lenses provide, in most cases, an equivalent visibility to a 400W metal halide high bay light fitting. The 125W, 165W and 185W versions provide an opportunity to either improve illuminance levels or reduce the installation density of the fittings.

# LED Lightsource-R High Bay

## Order Codes (Kits)

PART NUMBER	DESCRIPTION	POWER	LED CCT	FLUX (lm)	EFFICACY (lm/W)
AQHB*09057CA-EU	AQUALUMA HIGH BAY, 90W, 5700K, CLEAR ACRYLIC LENS	90W	5700K	12,800	142
AQHB*09057DA-EU	AQUALUMA HIGH BAY, 90W, 5700K, DIFFUSE ACRYLIC LENS			11,500	127
AQHB*09057PC-EU	AQUALUMA HIGH BAY, 90W, 5700K, CLEAR POLYCARBONATE LENS			12,100	134
AQHB*09040CA-EU	AQUALUMA HIGH BAY, 90W, 4000K, CLEAR ACRYLIC LENS		4000K	10,400	115
AQHB*09040DA-EU	AQUALUMA HIGH BAY, 90W, 4000K, DIFFUSE ACRYLIC LENS			9,300	103
AQHB*09040PC-EU	AQUALUMA HIGH BAY, 90W, 4000K, CLEAR POLYCARBONATE LENS			9,800	109

AQHB*12557CA-EU	AQUALUMA HIGH BAY, 125W, 5700K, CLEAR ACRYLIC LENS	125W	5700K	17,400	138
AQHB*12557DA-EU	AQUALUMA HIGH BAY, 125W, 5700K, DIFFUSE ACRYLIC LENS			15,600	124
AQHB*12557PC-EU	AQUALUMA HIGH BAY, 125W, 5700K, CLEAR POLYCARBONATE LENS			16,400	131
AQHB*12540CA-EU	AQUALUMA HIGH BAY, 125W, 4000K, CLEAR ACRYLIC LENS		4000K	14,000	112
AQHB*12540DA-EU	AQUALUMA HIGH BAY, 125W, 4000K, DIFFUSE ACRYLIC LENS			12,600	100
AQHB*12540PC-EU	AQUALUMA HIGH BAY, 125W, 4000K, CLEAR POLYCARBONATE LENS			13,200	105

AQHB*16557CA-EU	AQUALUMA HIGH BAY, 165W, 5700K, CLEAR ACRYLIC LENS	165W	5700K	22,200	134
AQHB*16557DA-EU	AQUALUMA HIGH BAY, 165W, 5700K, DIFFUSE ACRYLIC LENS			19,900	120
AQHB*16557PC-EU	AQUALUMA HIGH BAY, 165W, 5700K, CLEAR POLYCARBONATE LENS			20,900	126
AQHB*16540CA-EU	AQUALUMA HIGH BAY, 165W, 4000K, CLEAR ACRYLIC LENS		4000K	17,800	107
AQHB*16540DA-EU	AQUALUMA HIGH BAY, 165W, 4000K, DIFFUSE ACRYLIC LENS			16,000	96
AQHB*16540PC-EU	AQUALUMA HIGH BAY, 165W, 4000K, CLEAR POLYCARBONATE LENS			16,800	101

AQHB*18557CA-EU	AQUALUMA HIGH BAY, 185W, 5700K, CLEAR ACRYLIC LENS	185W	5700K	24,400	131
AQHB*18557DA-EU	AQUALUMA HIGH BAY, 185W, 5700K, DIFFUSE ACRYLIC LENS			21,800	118
AQHB*18557PC-EU	AQUALUMA HIGH BAY, 185W, 5700K, CLEAR POLYCARBONATE LENS			23,000	124
AQHB*18540CA-EU	AQUALUMA HIGH BAY, 185W, 4000K, CLEAR ACRYLIC LENS		4000K	19,500	105
AQHB*18540DA-EU	AQUALUMA HIGH BAY, 185W, 4000K, DIFFUSE ACRYLIC LENS			17,500	94
AQHB*18540PC-EU	AQUALUMA HIGH BAY, 185W, 4000K, CLEAR POLYCARBONATE LENS			18,400	99






### Notes

\* Replace the fifth figure of the part number to denote the mounting method : H = Hook, B = Bracket, P = Pipe.

The flux figures (lm) shown represent the net output after the fitting has operated for 1hr at 25°C ambient temperature.

All figures shown are within a 7% tolerance.

## Available Separately

IMAGE	PART NUMBER	DESCRIPTION
	AQHBB	POWDERCOATED ALUMINIUM BRACKET (RAL 7047)
	AQHBH	POWDERCOATED HOOK (RAL 7047)
	AQHBCA	CLEAR ACRYLIC LENS
	AQHBPC	CLEAR POLYCARBONATE LENS
	AQHBDA	DIFFUSE ACRYLIC LENS